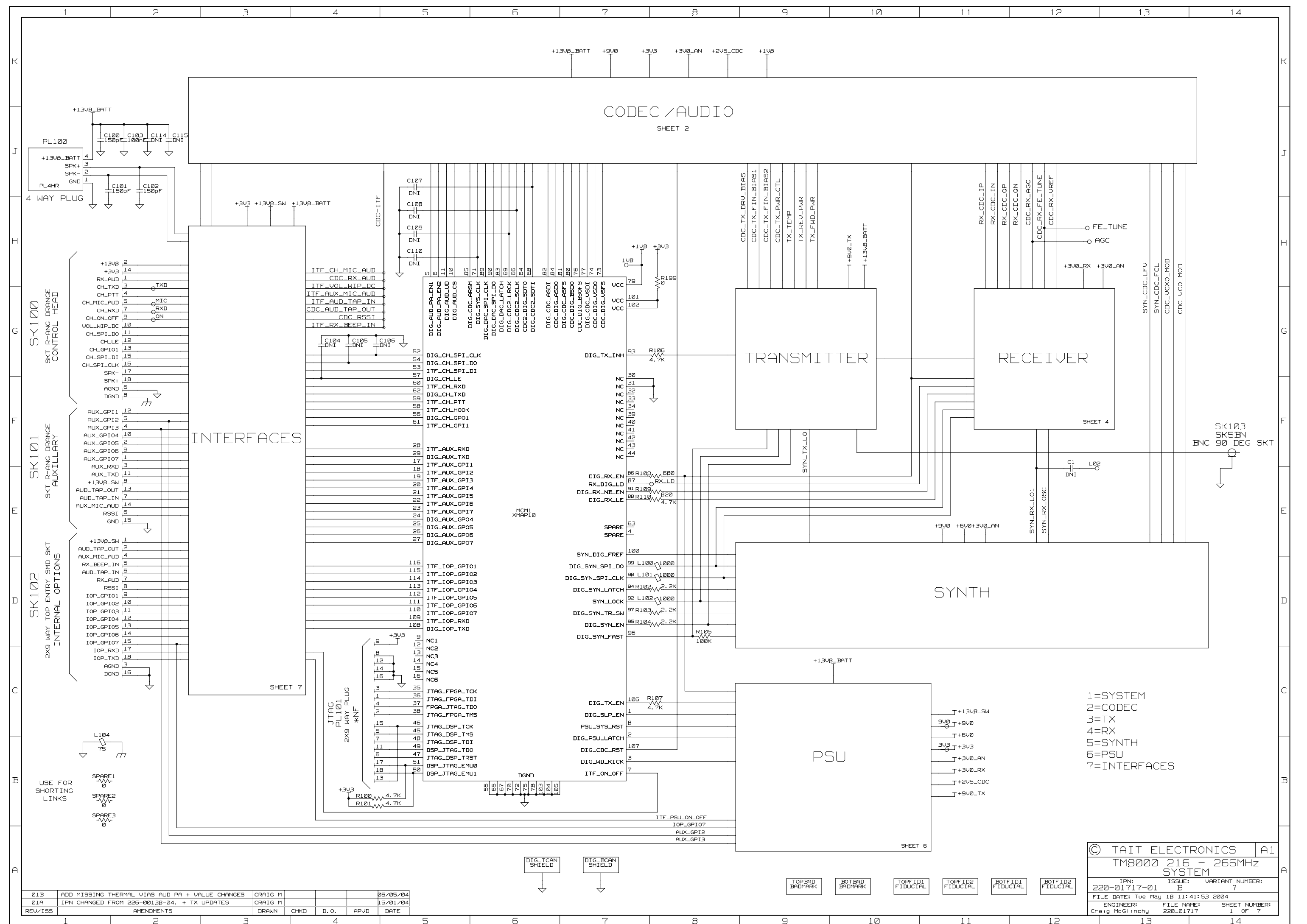


# CODEC / AUDIO

SHEET 2

+1.3VB\_BATT +9V0 +3V3 +3V0\_AN +2V5\_CDC +1V8



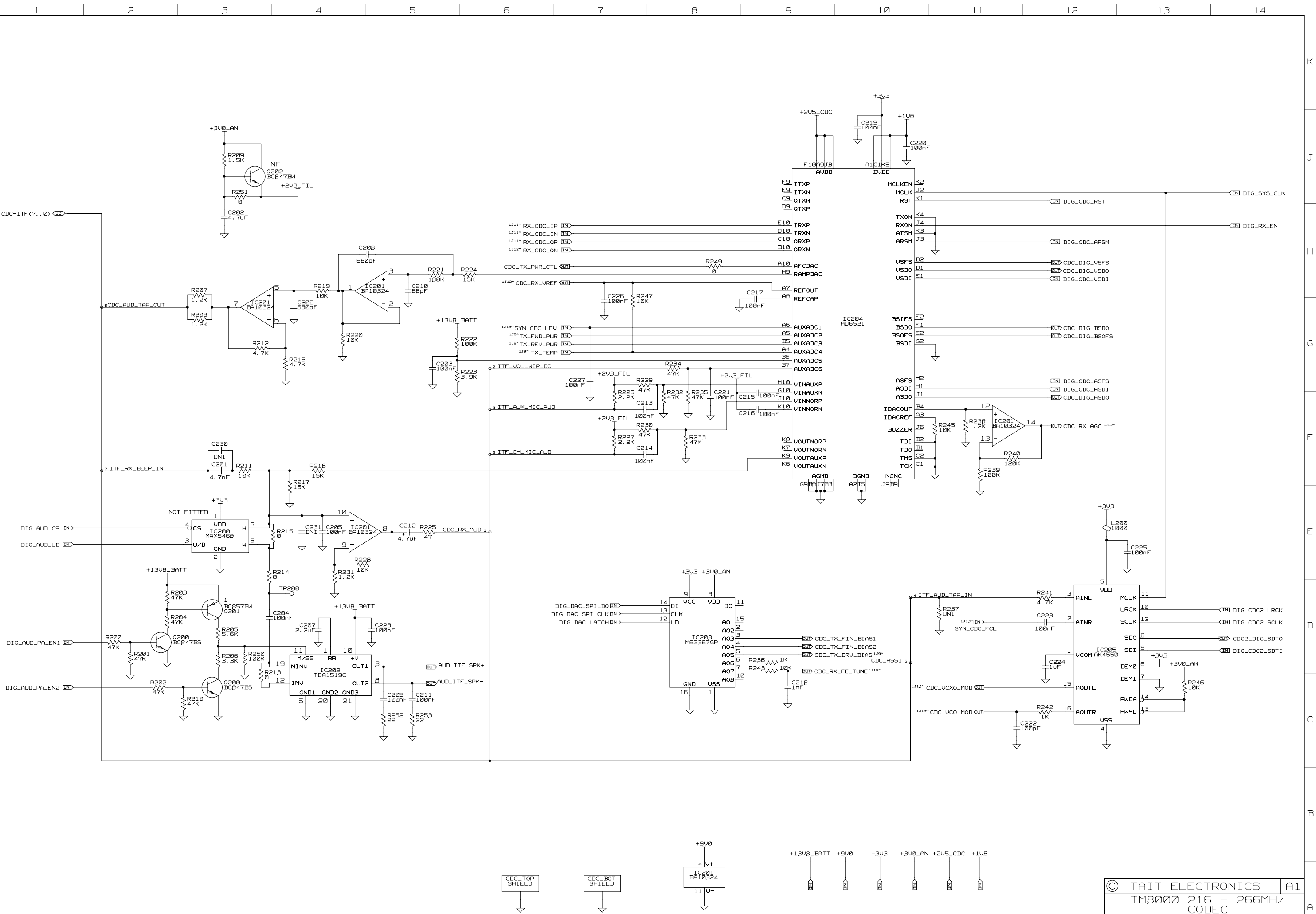
- 1=SYSTEM
- 2=CODEC
- 3=TX
- 4=RX
- 5=SYNTH
- 6=PSU
- 7=INTERFACES

© TAIT ELECTRONICS		A1
TM8000 216 - 266MHZ SYSTEM		
IPN: 220-01717-01	ISSUE: B	VARIANT NUMBER: ?
FILE DATE: Tue May 18 11:41:53 2004		
ENGINEER: Craig McGlinchy	FILE NAME: 220_01717	SHEET NUMBER: 1 OF 7

01B	ADD MISSING THERMAL VIAS AUD PA + VALUE CHANGES	CRAIG M			05/05/04
01A	IPN CHANGED FROM 226-00138-04. + TX UPDATES	CRAIG M			15/01/04
REV/ISS	AMENDMENTS	DRAWN	CHKD	D.O.	APVD DATE

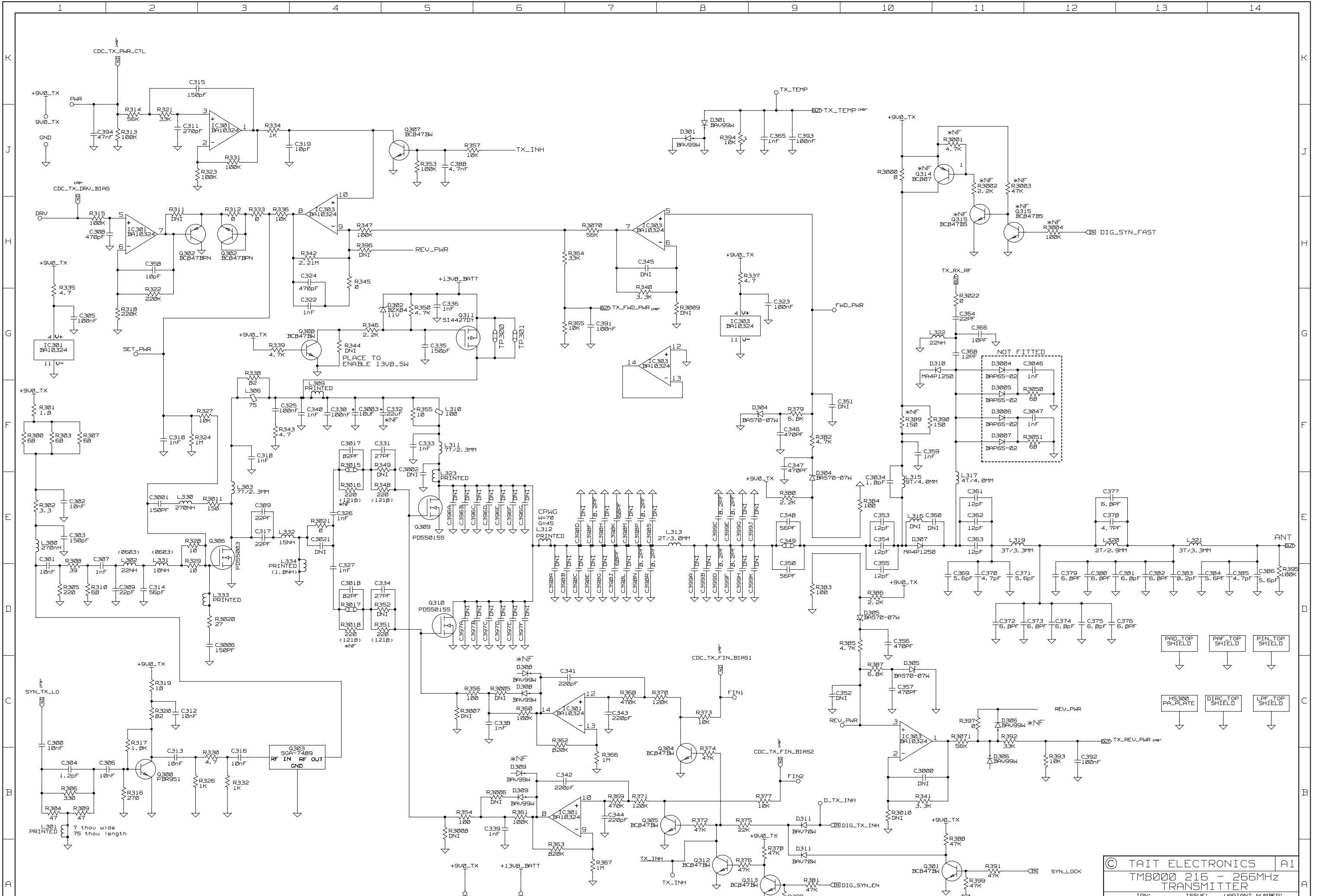
TOPBAD BADMARK    BOTBAD BADMARK    TOPFID1 FIDUCIAL    TOPFID2 FIDUCIAL    BOTFID1 FIDUCIAL    BOTFID2 FIDUCIAL

DIG\_TCAN SHIELD    DIG\_BCAN SHIELD



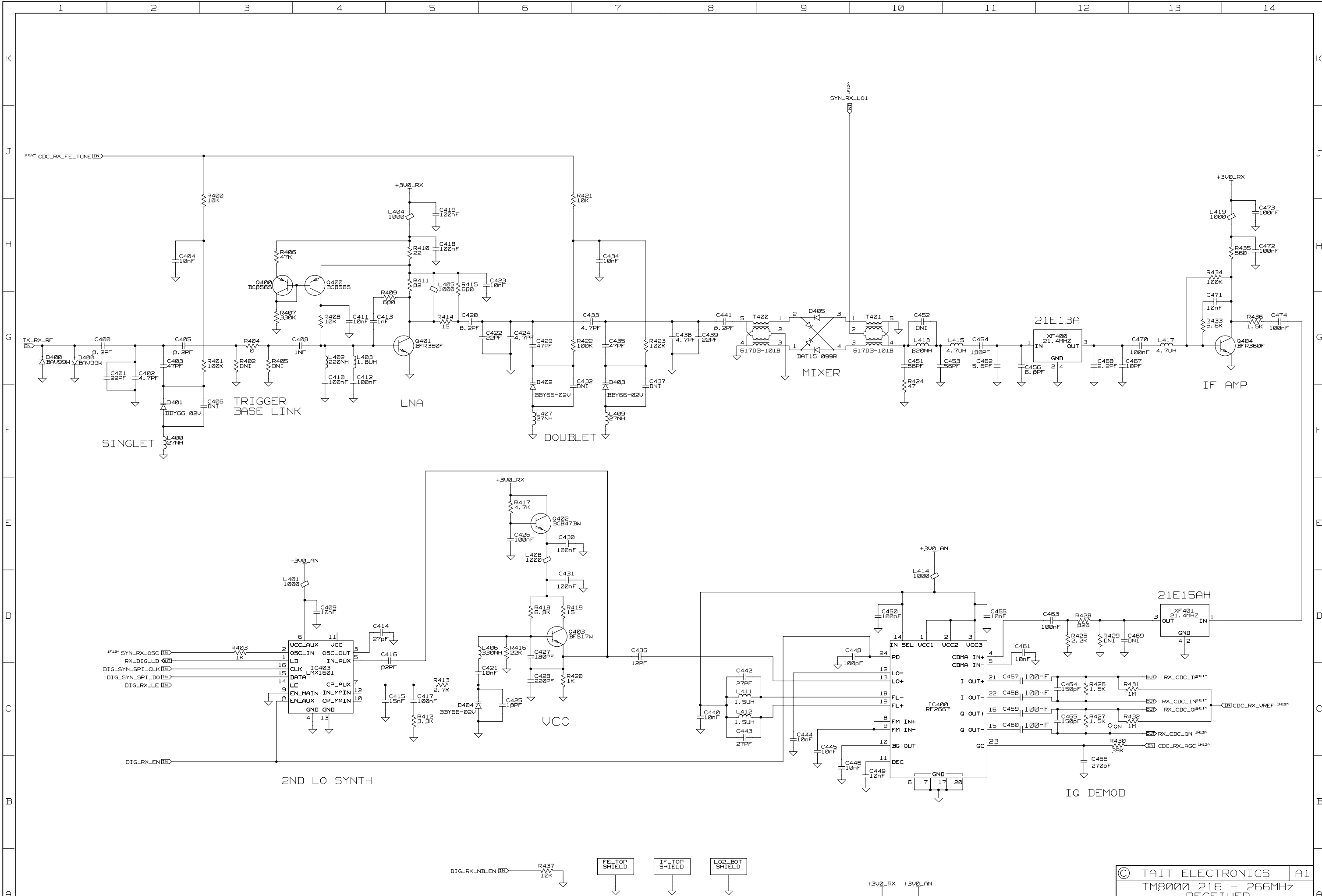
© TAIT ELECTRONICS | A1  
 TM8000 216 - 266MHZ CODEC  
 IPN: 220-01717-01 | ISSUE: B | VARIANT NUMBER: ?  
 FILE DATE: Mon May 17 10:04:42 2004  
 ENGINEER: Craig McGlinchy | FILE NAME: 220\_01717 | SHEET NUMBER: 2 OF 7

01A	IPN CHANGED FROM 226-00139-04. + TX UPDATES	CRAIG M	?	?	?	15/01/04
REV/ISS	AMENDMENTS	DRAWN	CHKD	D. O.	APVD	DATE
1						
2						
3						
4						
5						
6						
7						
8						
9						
10						
11						
12						
13						
14						



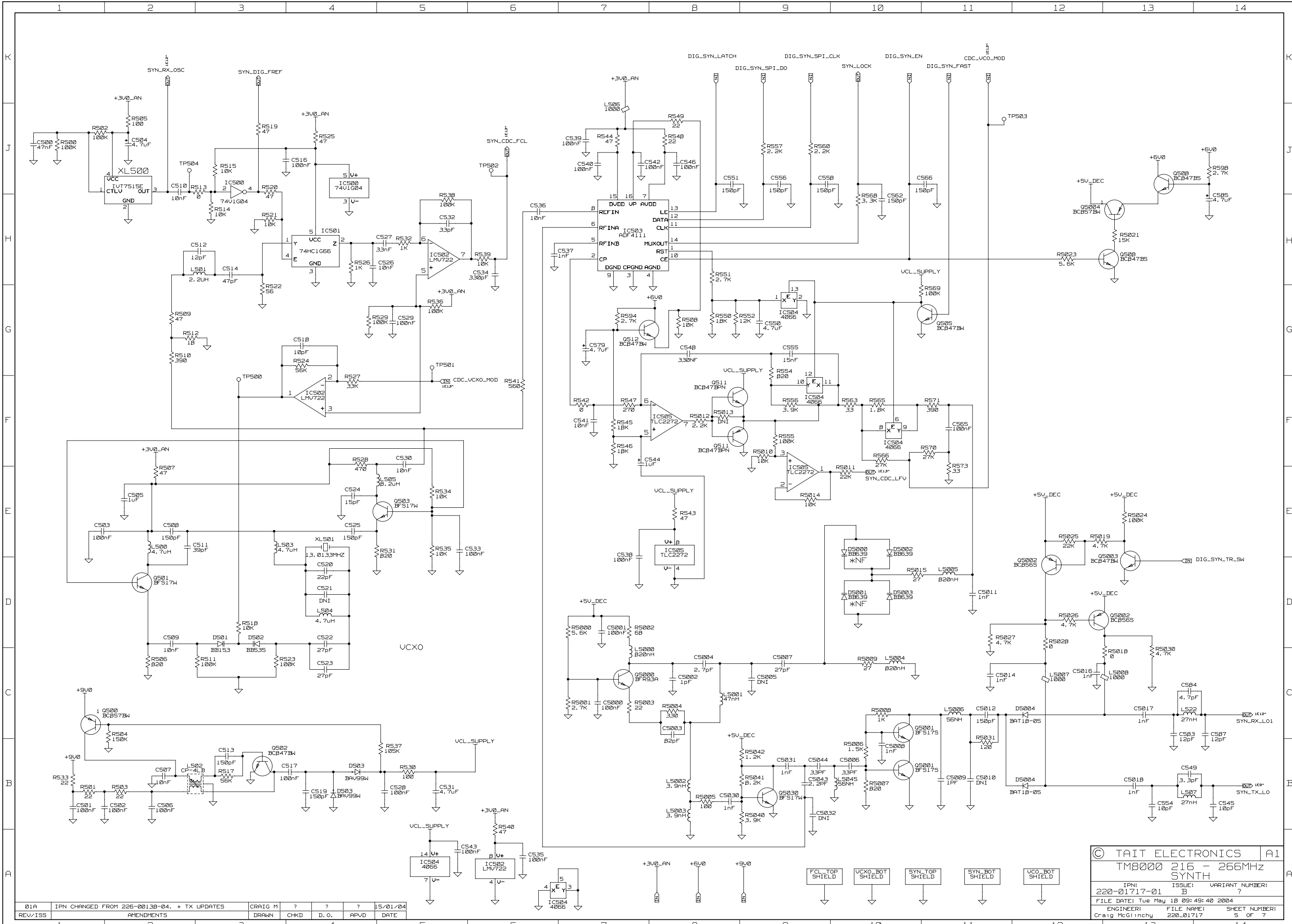
© TAIT ELECTRONICS		A1
TM8000 216 - 266MHZ TRANSMITTER		
IPN:	ISSUE:	VARIANT NUMBER:
220-01717-01	B	?
FILE DATE: Tue May 18 10:20:38 2004		
ENGINEER:	FILE NAME:	SHEET NUMBER:
Craig McGlinchy	220_01717	3 OF 7

01B	TX VALUE CHANGES + CHANGE DESIGNATIONS TO = UHF	CRAIG M	?	?	?	05/05/04
01A	IPN CHANGED FROM 226-00138-04. + TX UPDATES	CRAIG M	?	?	?	15/01/04
REV/ISS	AMENDMENTS	DRAWN	CHKD	D. O.	APVD	DATE



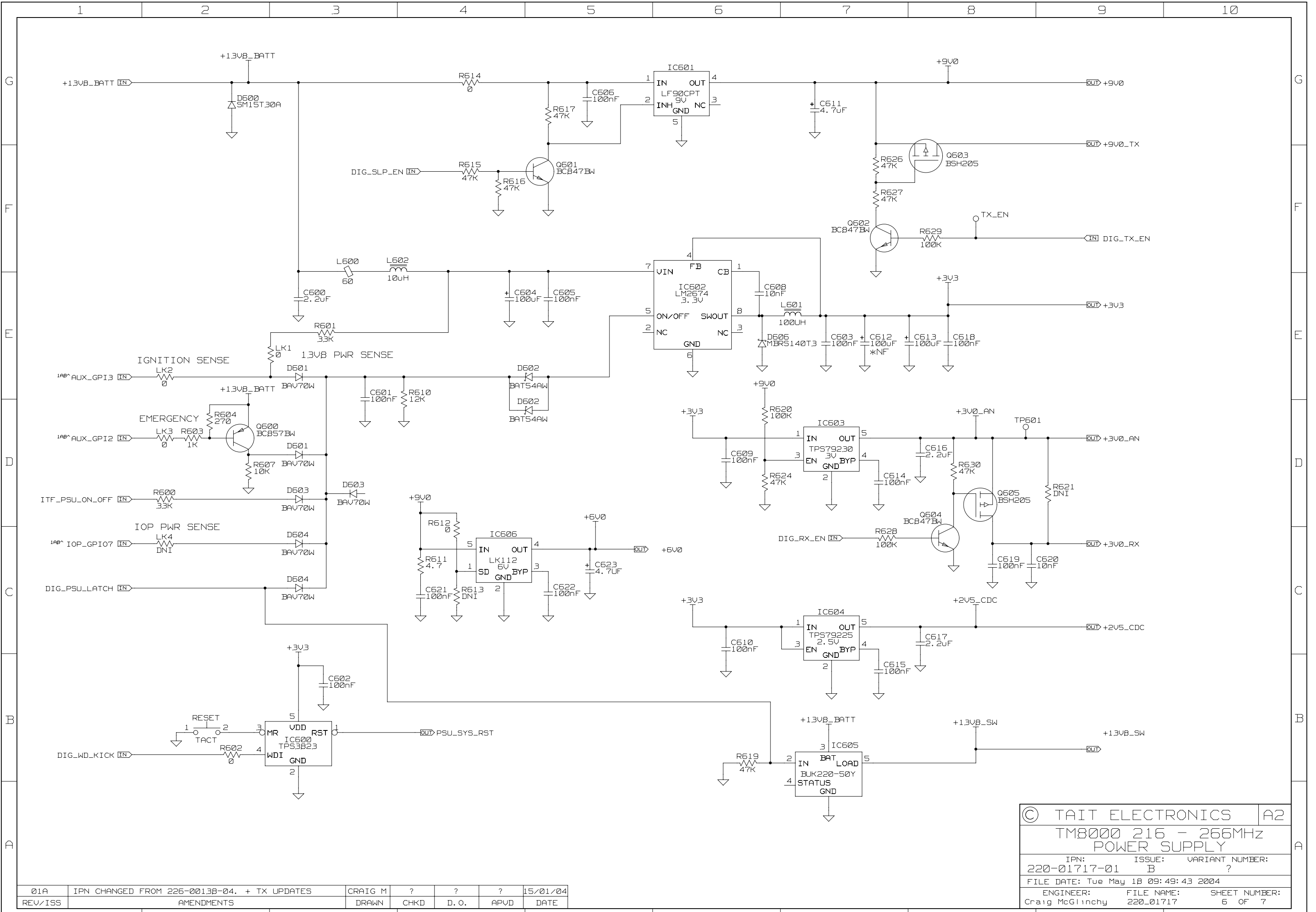
© TAIT ELECTRONICS		A1
TM8000 216 - 266MHZ RECEIVER		
IPN: 220-01717-01	ISSUE: B	VARIANT NUMBER: ?
FILE DATE: Mon May 17 10:04:51 2004		
ENGINEER: Craig McGlinchy	FILE NAME: 220_01717	SHEET NUMBER: 4 OF 7

01A	IPN CHANGED FROM 226-00139-04. + TX UPDATES	CRAIG M	?	?	?	15/01/04
REV/ISS	AMENDMENTS	DRAWN	CHKD	D. O.	APVD	DATE



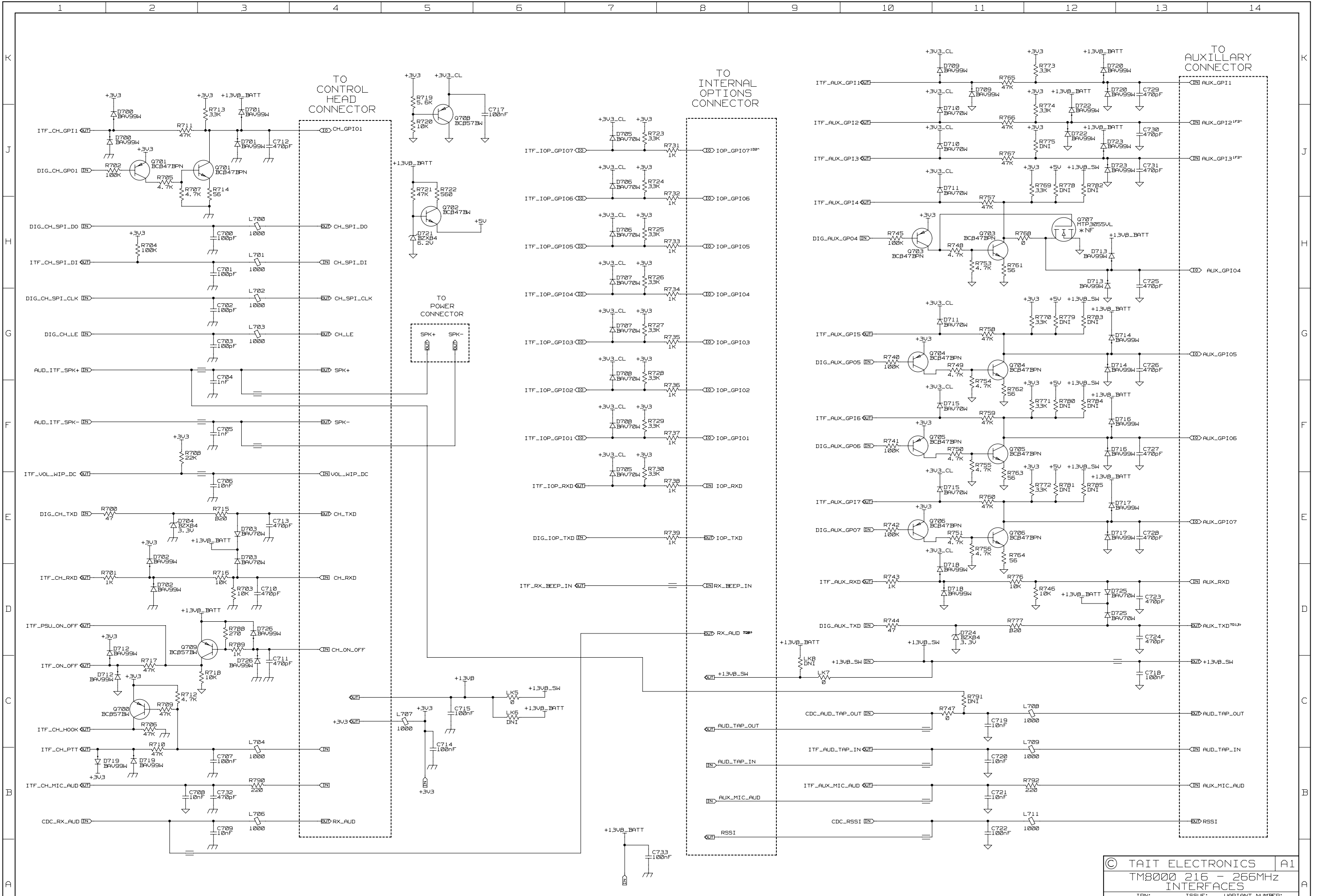
© TAIT ELECTRONICS		A1
TM8000 216 - 266MHz SYNTH		
IPN:	ISSUE:	VARIANT NUMBER:
220-01717-01	B	?
FILE DATE: Tue May 18 09:49:40 2004	ENGINEER:	FILE NAME:
Craig McGlinchy	220_01717	SHEET NUMBER:
		5 OF 7

01A	IPN CHANGED FROM 226-00139-04. + TX UPDATES	CRAIG M	?	?	?	15/01/04
REV/ISS	AMENDMENTS	DRAWN	CHKD	D. O.	APVD	DATE



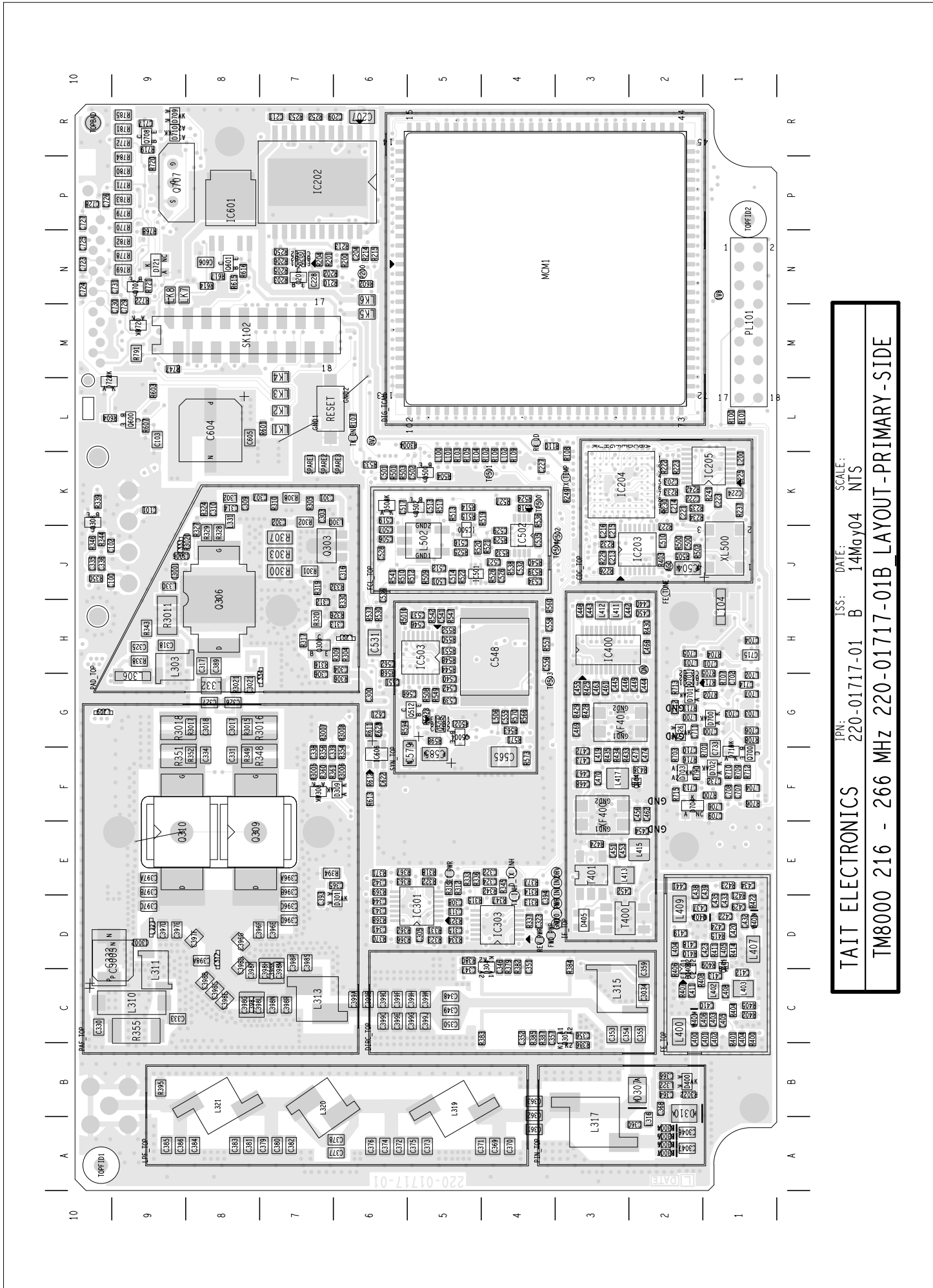
© TAIT ELECTRONICS A2  
 TM8000 216 - 266MHZ  
 POWER SUPPLY  
 IPN: 220-01717-01 ISSUE: B VARIANT NUMBER: ?  
 FILE DATE: Tue May 18 09:49:43 2004  
 ENGINEER: Craig McGlinchy FILE NAME: 220\_01717 SHEET NUMBER: 6 OF 7

01A	IPN CHANGED FROM 226-00138-04. + TX UPDATES	CRAIG M	?	?	?	15/01/04
REV/ISS	AMENDMENTS	DRAWN	CHKD	D. O.	APVD	DATE



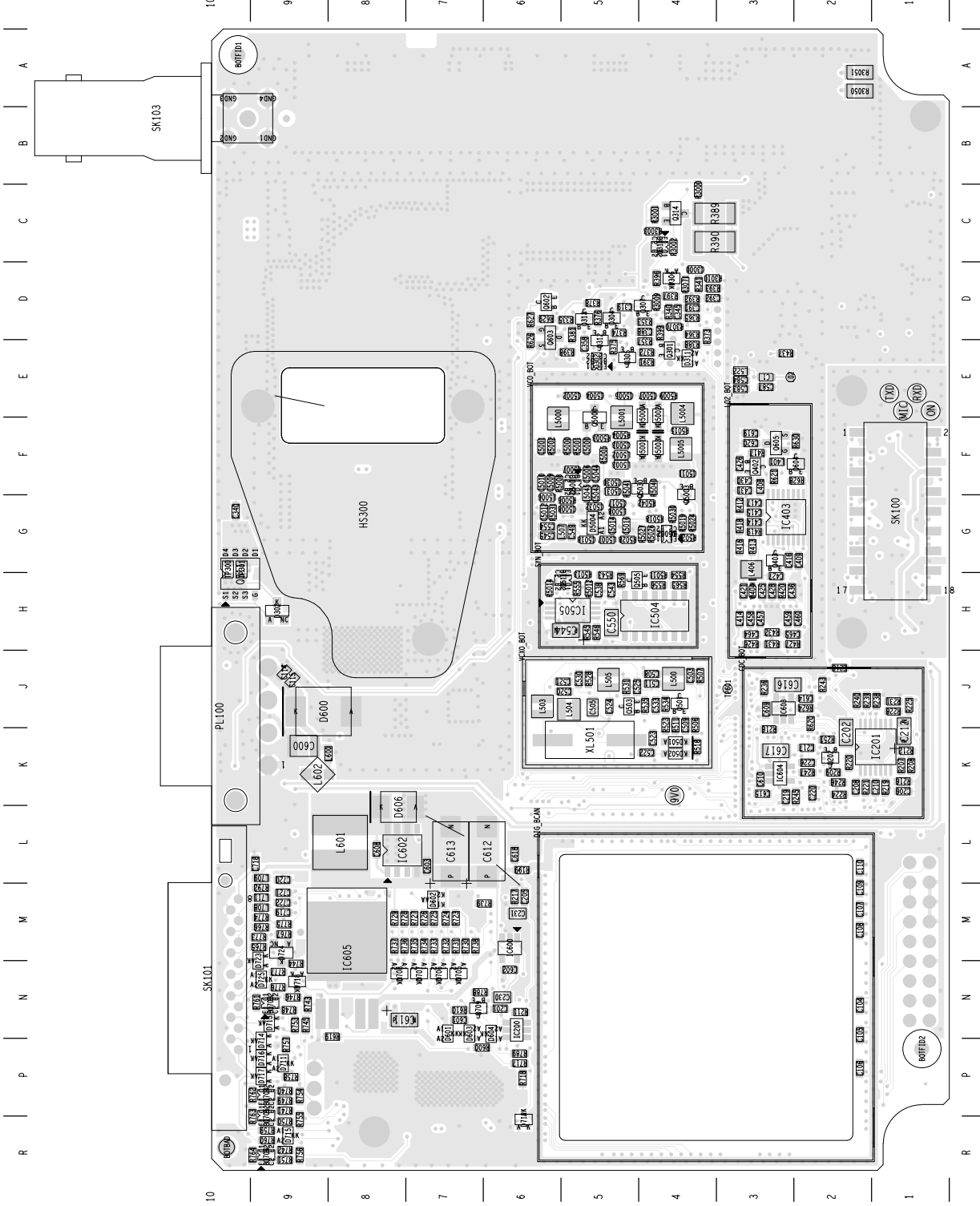
© TAIT ELECTRONICS		A1
TM8000 216 - 266MHZ INTERFACES		
IPN: 220-01717-01	ISSUE: B	VARIANT NUMBER: ?
FILE DATE: Tue May 18 09:52:51 2004		
ENGINEER: Craig McGlinchy	FILE NAME: 220_01717	SHEET NUMBER: 7 OF 7

01A	IPN CHANGED FROM 226-00139-04. + TX UPDATES	CRAIG M	?	?	?	15/01/04
REV/ISS	AMENDMENTS	DRAWN	CHKD	D. O.	APVD	DATE



TAIT ELECTRONICS IPN: 220-01717-01 B ISS: 14May04 SCALE: NTS  
TM8000 216 - 266 MHz 220-01717-01B LAYOUT-PRIMARY-SIDE





TAIT ELECTRONICS      IPN:      220-01717-01      ISS:      DATE:      SCALE:      14MaY04      NTS  
 TM8000 216 - 266 MHZ 220-01717-01B LAYOUT - SECONDARY-SIDE